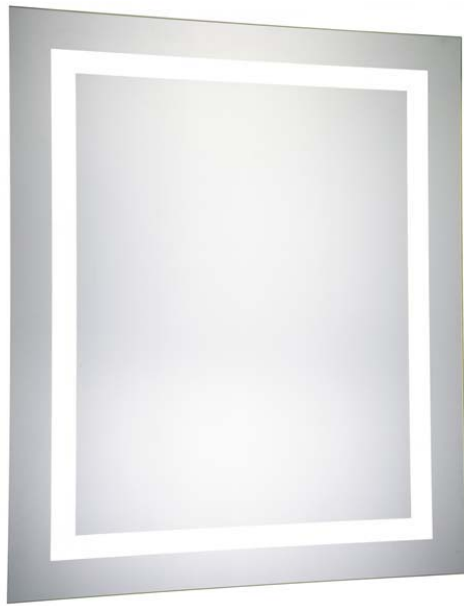




Elegant Furniture And Lighting Inc.

USER GUIDE – LED LIGHTED MIRROR

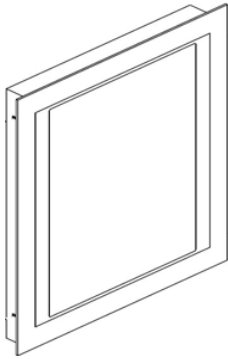


IF IN DOUBT ABOUT FITTING THIS PRODUCT, PLEASE CONSULT A QUALIFIED ELECTRICIAN

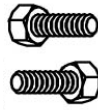
IMPORTANT

PLEASE READ THE INSTRUCTIONS BEFORE SET UP AND INSTALLATION

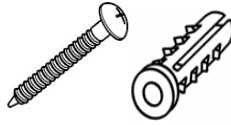
COMPONENT PARTS AND FITTINGS



Mirror x1
(Including Base)



Bolts x 4
(Included in pack)



Screw & Wall Plug x 4
(Included in pack)

Suggested Tools:



Screw driver



Drill

Safety Warning

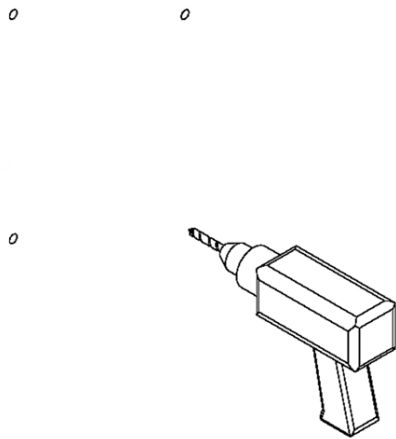
Safety:

- We suggest you spend a short time reading the instruction leaflet.
- Carefully check that you have all the parts before beginning assembly.
- Keep small parts and fittings out of children's reach and keep children well away from construction area, as the unassembled product contains small parts, which could present a choking hazard.
- We suggest you retain these instructions for future reference.
- This appliance can be used by adults **ONLY**.
- If the supply cord is damaged, it must be replaced by the manufacturer, its service agent or similarly qualified persons in order to avoid a hazard.

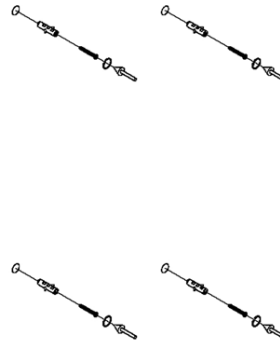
Caution:

- In order to avoid overheating, do not cover the mirror.
- Switch off the mains supply and remove the appropriate fuse or switch off the appropriate circuit breaker before commencing installation
- Make sure that there is no danger that the cord or extension cord is inadvertently be pulled or cause anyone to trip when in use.

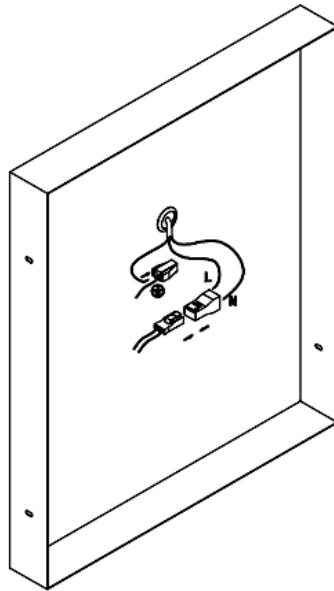
Assembly/User Instruction



STEP1. Mark the position of the hanging screw.

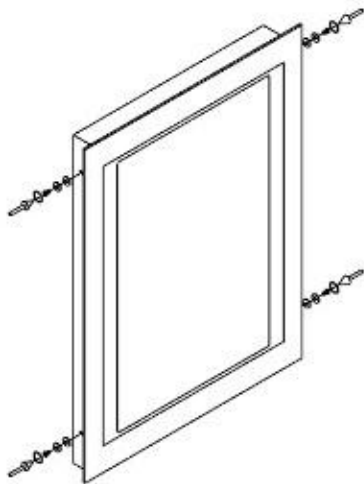


STEP2. Fix the screw.

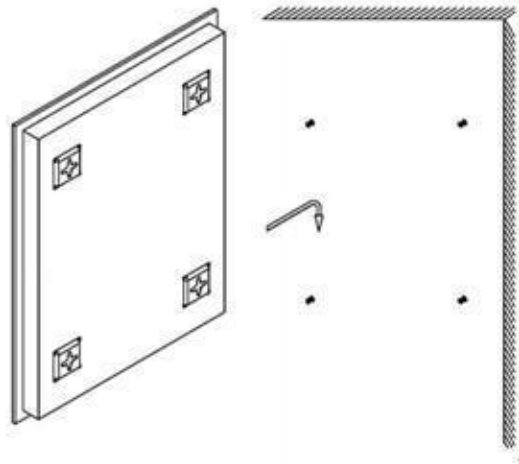


STEP3. make sure to bring MC cable in through the wall and into the chassis knockout. Insert ground wire in the grounded connector. Insert power and neutral wires into the luminaire disconnect. The power wire is inserted into the black port (L) and the neutral wire is inserted into the white port (N).

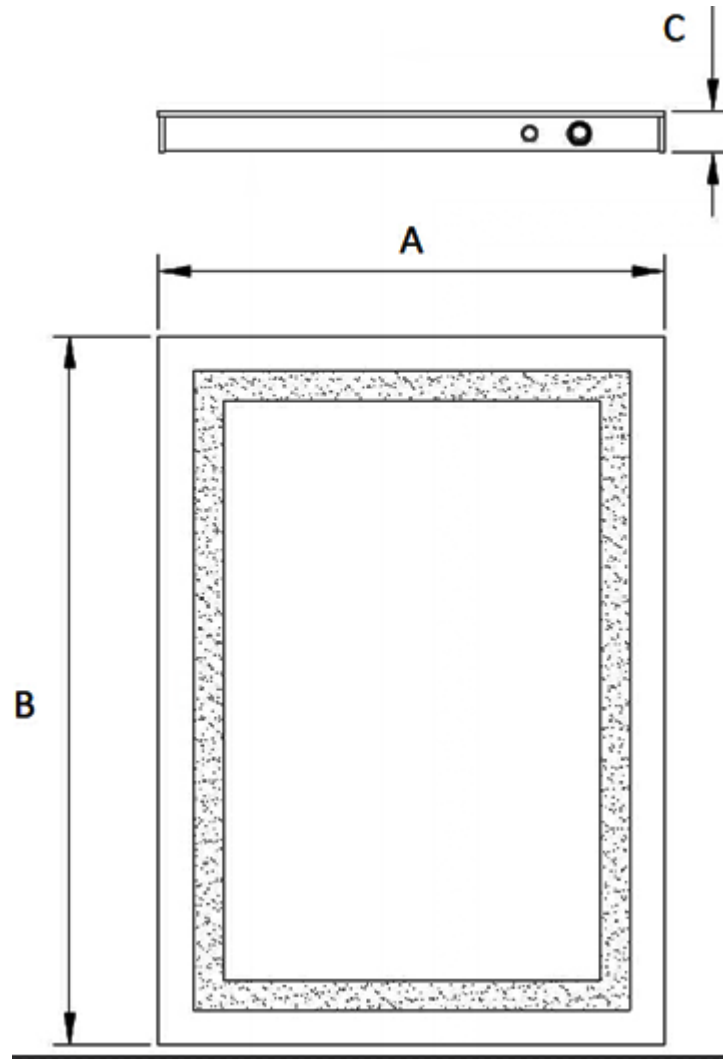
STEP4. Place mirror onto back plate, secure with 4 screws on sides



STEP5. Hang up the mirror on the wall.



Installation Dimensions:



MODEL	A(inch)	B(inch)	C(inch)
MRE-6001/ MRE-6011	20	30	1.58
MRE-6002/ MRE-6012	20	40	1.58
MRE-6003/ MRE-6013	24	30	1.58
MRE-6004/ MRE-6014	24	40	1.58
MRE-6010/ MRE-6020	28	28	1.58
MRE-6030/ MRE-6040	36	36	1.58
MRE-6031/ MRE-6041	32	40	1.58

